

# iQ PRO Glass

Glass partition with vertical and/or horizontal mullions



Wall Systems

## Our slender and successful system

iQ PRO Glass is a system wall with 31 mm (1.22") wide vertical and/or 31 mm (1.22") wide horizontal mullions. The profile is 33 mm (1.30") in appearance all around and the wall system is available in wall thicknesses of 78, 100 and 125 mm. (3.07", 3.94" or 4.92")

In basic configuration, iQ PRO Glass is fitted with double glazing for high acoustic properties. There is a choice of various thicknesses of laminated glass, with or without acoustically damping film for even better sound insulation. Stability can be guaranteed at higher walls by applying mullions.

It is possible to execute iQ PRO Glass 100 with glass panels that have different properties. For example, the fall safety requirement and the sound requirement can be solved aesthetically perfectly in one wall at a wide edge. Or a meeting room or concentration workspace can also be located in a transparent, fire-resistant partition.

iQ PRO Glass can also be executed with (acoustic) laminated glass on one side, if this is desired for aesthetic reasons or for future flexibility.

iQ PRO Glass can be combined perfectly with solid panels from the iQ PRO series such as the iQ PRO Steel, iQ PRO Melamine, iQ PRO Stud or other project-specific solutions.





## Circularity

QbiQ system walls are designed with flexibility and adaptability in mind, which means they can be easily installed, moved and reused. This extends the lifespan of the walls and reduces the need for new materials.

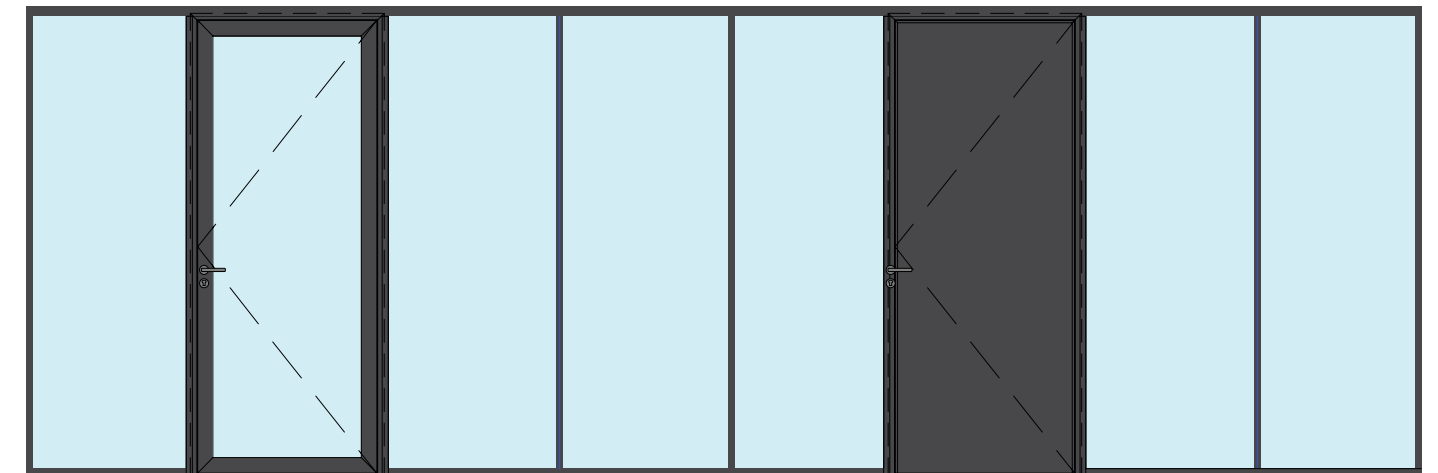
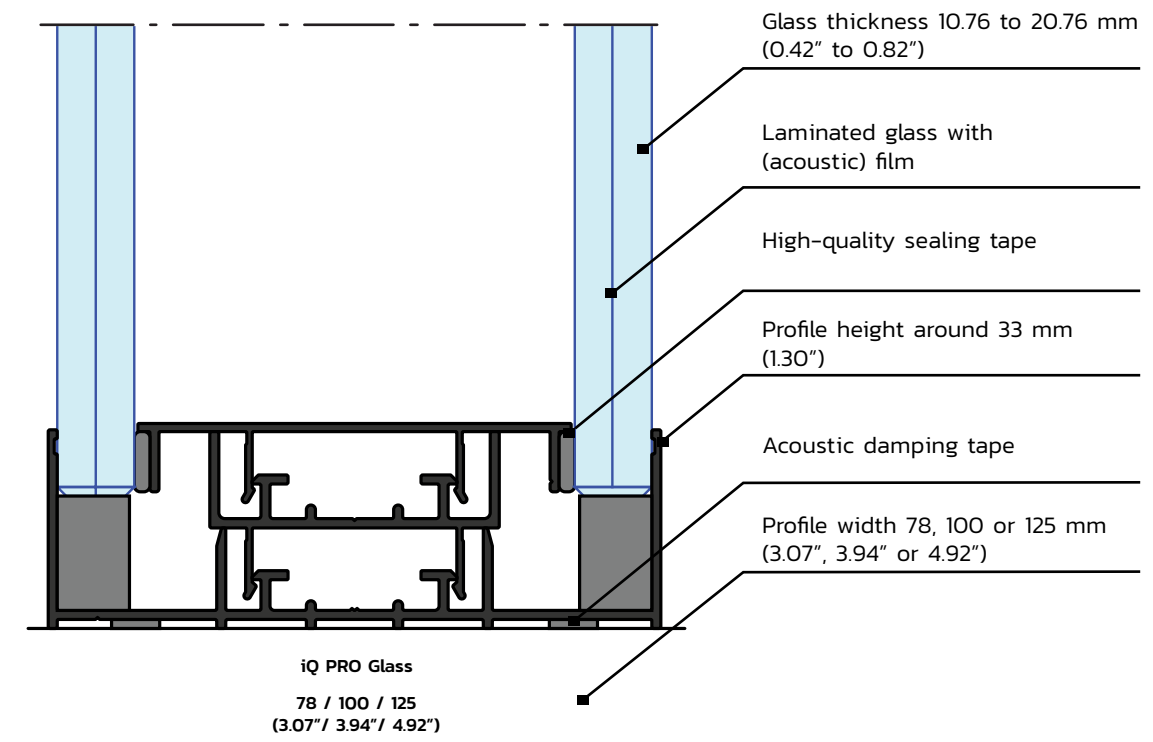
When producing our system walls, the health of users and the safety of the environment are of paramount importance. We only process healthy materials that contribute to an improved study and/or working environment. Transport movements will be kept to a minimum. And it goes without saying that our production is organised as efficiently as possible in order to minimise waste of raw materials and energy.

## Cradle to cradle Silver

Our system walls contribute to a sustainable environment and are certified by an accredited assessor for the international Cradle to Cradle Certified® programme. The products and underlying production processes have been assessed against the following components: Material Health, Material Re-utilisation, Renewable Energy, Water Stewardship and Social Fairness. This certification guarantees that our walls are designed with reuse and circularity in mind, that energy is used consciously, that we use labour in a (socially) responsible manner, and that our products contain demonstrably non-toxic substances.

With our Cradle to Cradle Silver certified concepts, we not only offer a sustainable solution for a modern and pleasant learning and working environment, we are also contributing to the circular economy.



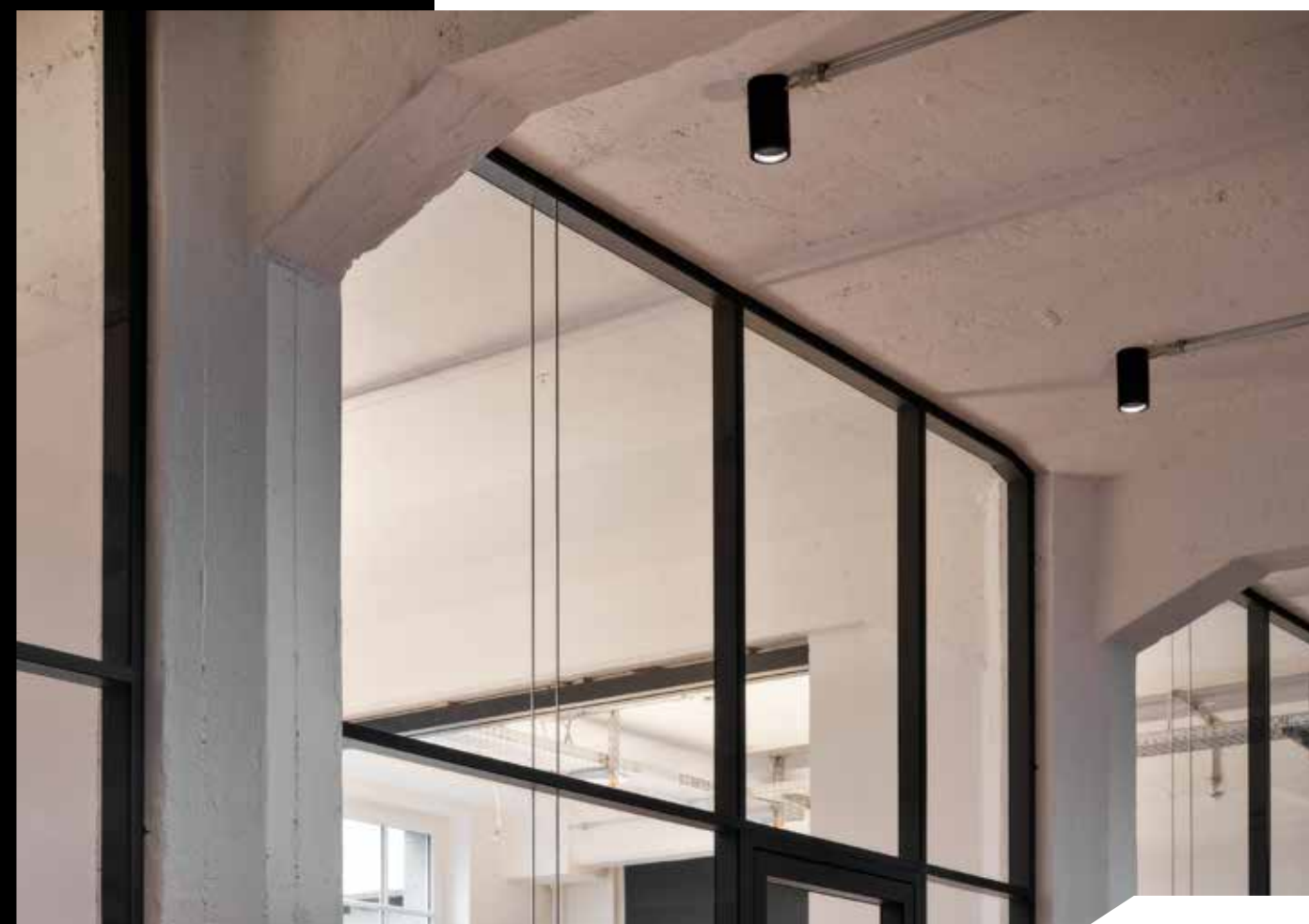


iQ PRO Glass wall view



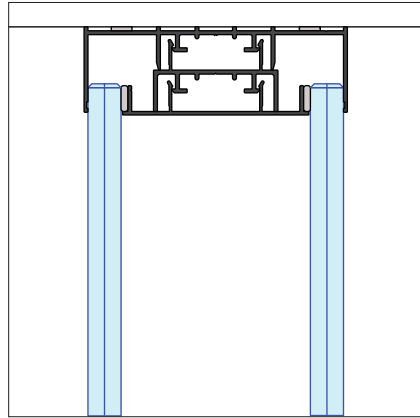
## iQ PRO Glass – Specifications

<b>Description</b>	Glass wall with vertical and/or horizontal mullions. High sound values.
<b>Certification</b>	Cradle to Cradle Silver.
<b>Partition Thickness</b>	78, 100, 125 mm (3.07", 3.94", 4.92").
<b>Sound reduction</b>	Rw=35dB to Rw=56dB.
<b>Wall Sections</b>	Glass.
<b>Glazing</b>	Single, double, or triple glazing, optionally with acoustic damping, thickness 10.76 to 20.76 mm (0.42" to 0.82").
<b>Modulation</b>	900 mm (35.4"), project-specific dimensions possible.
<b>Section joins</b>	31mm (1.22") vertical mullion or transparent O-joint. In combination with horizontal mullion 31mm (1.22").
<b>Head track</b>	Flat, aluminium, 33 mm (1.30") high, optional with integrated picture rail.
<b>Floor track</b>	Flat, aluminum, 33 mm (1.30") high.
<b>Door frames</b>	Aluminum frame with single and/or double rebate.
<b>Doors</b>	<ul style="list-style-type: none"><li>• Aluminum frame doors with single or double acoustic laminated or tempered glass and with single or double rebate.</li><li>• Closed steel doors.</li><li>• Wooden doors with an HPL or veneer finish.</li><li>• Tempered glass doors.</li></ul>
<b>Color</b>	<ul style="list-style-type: none"><li>• Coated in a RAL color with a gloss level of 30% or 70% or fine structure.</li><li>• Anodized.</li></ul>

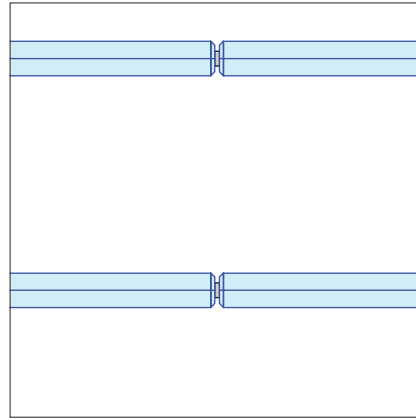




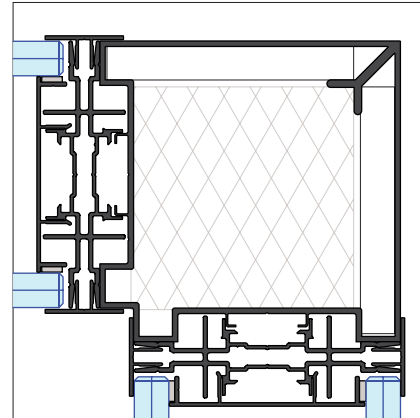
## Basic details iQ PRO Double glass



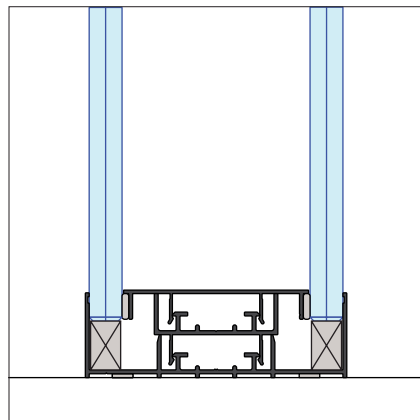
**iQ PRO Double glass**  
Head track



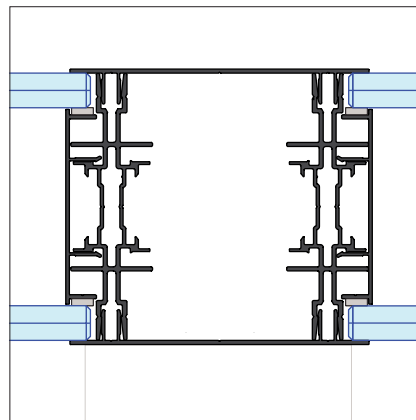
**iQ PRO Double glass**  
Glass connection with O-joint



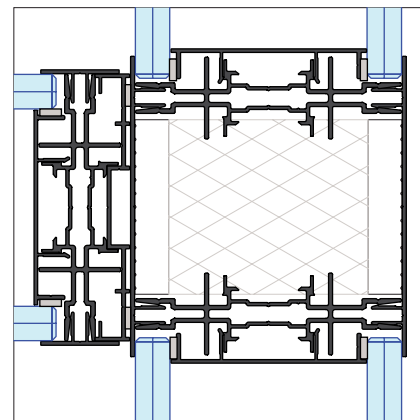
**iQ PRO Double glass**  
Corner connection



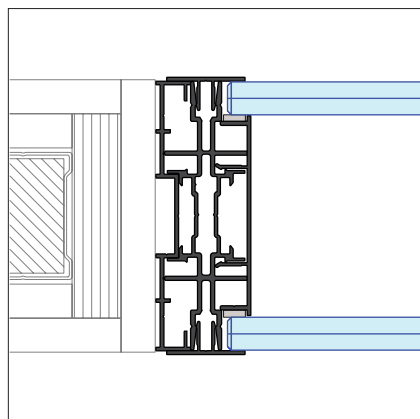
**iQ PRO Double glass**  
Floor track



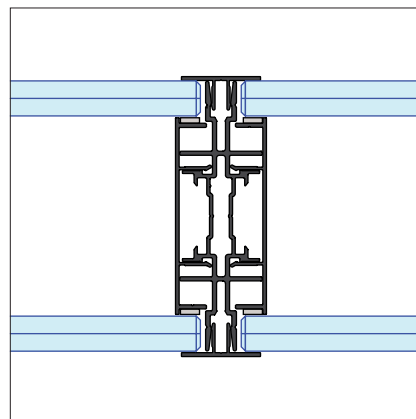
**iQ PRO Double glass**  
T-joint on an existing wall



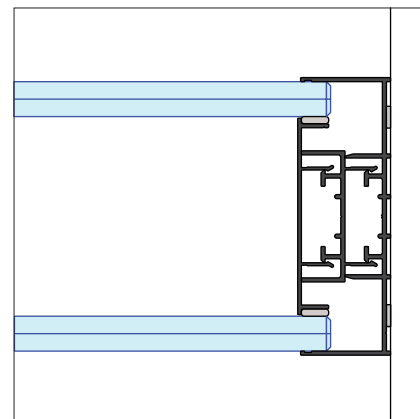
**iQ PRO Double glass**  
T-joint



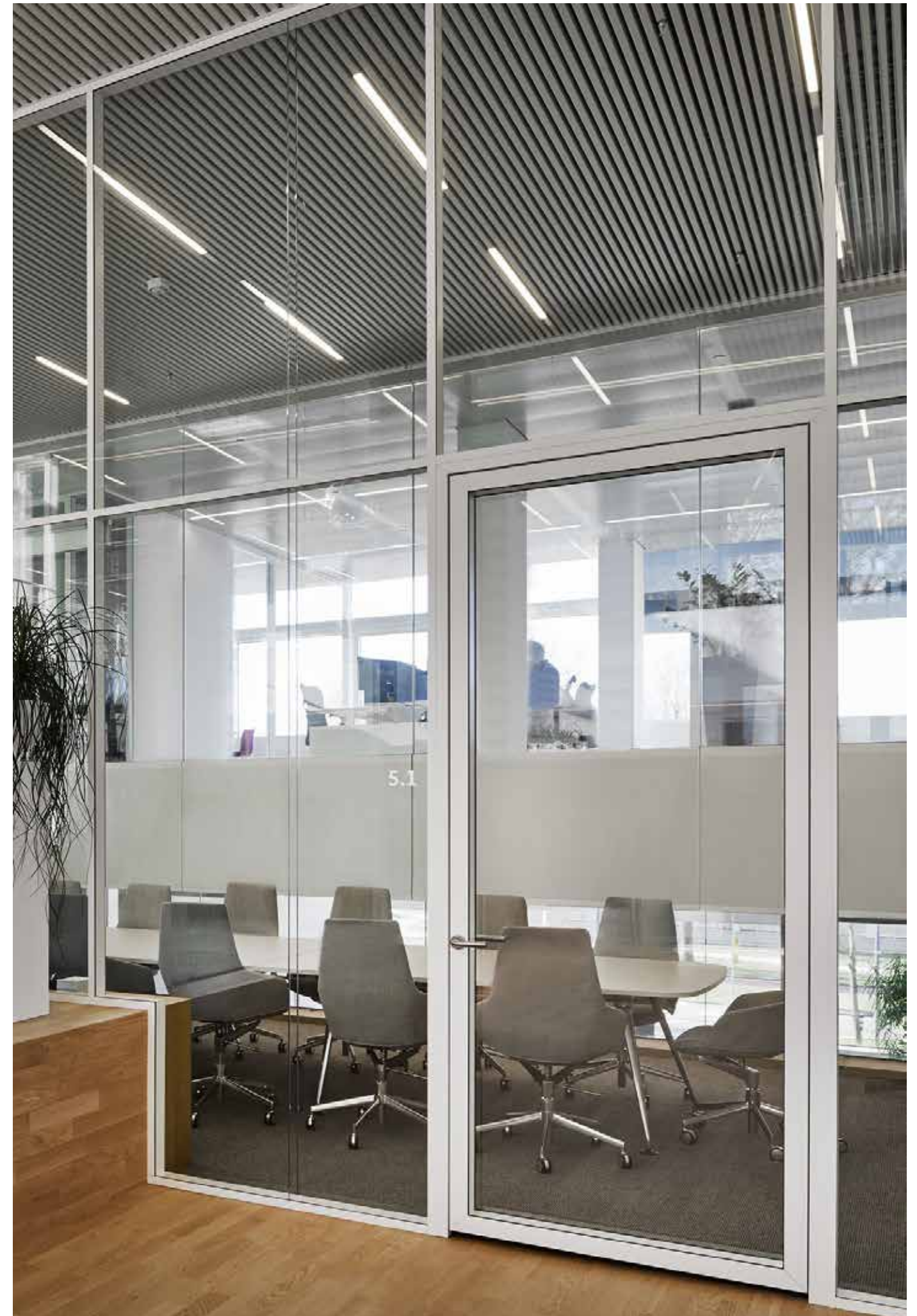
**iQ PRO Double glass**  
Wall connection



**iQ PRO Double glass**  
Section joints



**iQ PRO Double glass**  
Wall connection with 2 or more panes next to the frame

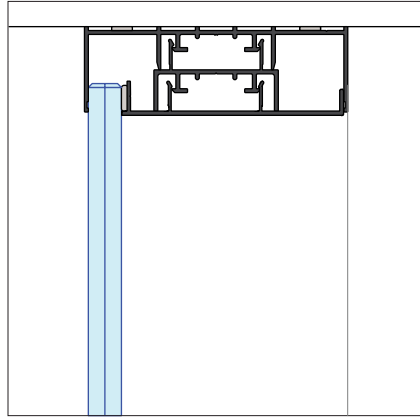




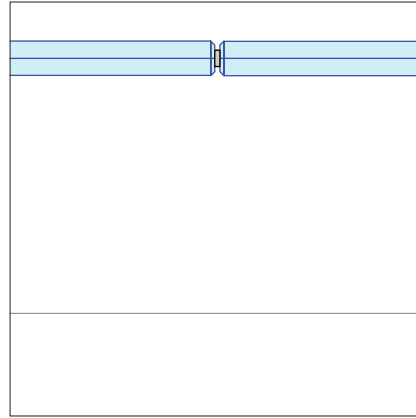




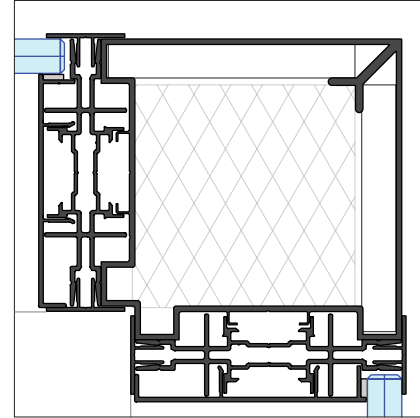
## Basic details iQ PRO Single glass



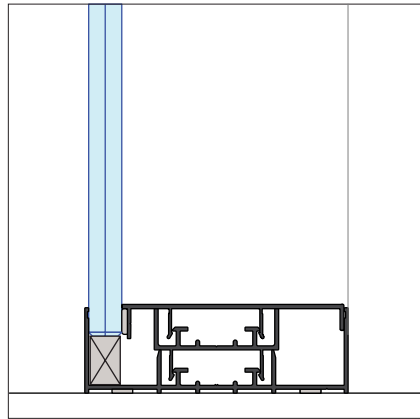
**iQ PRO Single glass**  
Head track



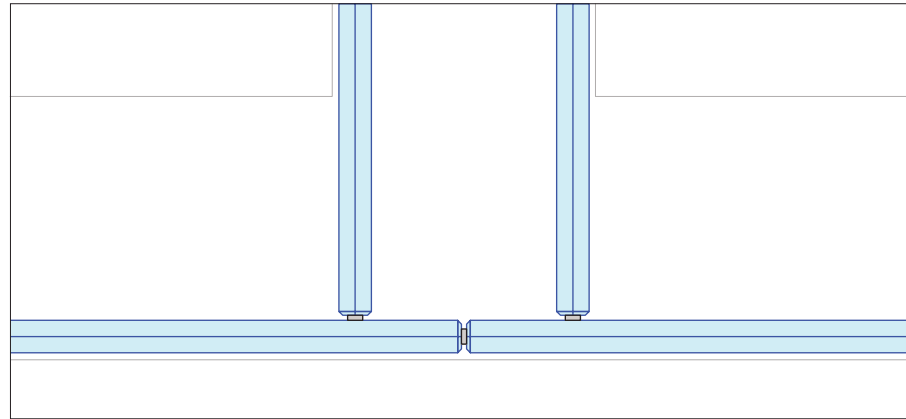
**iQ PRO Single glass**  
Glass connection with O-joint



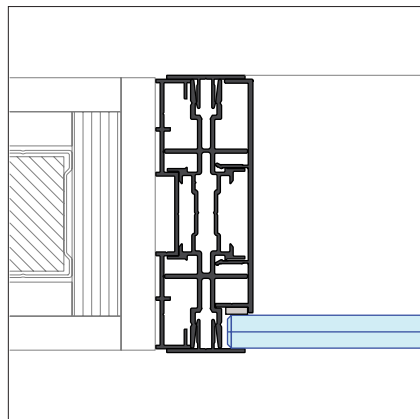
**iQ PRO Single glass**  
Corner connection



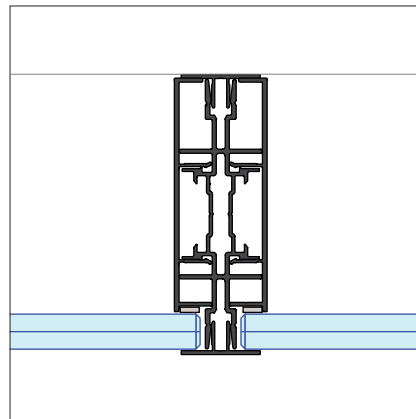
**iQ PRO Single glass**  
Floor track



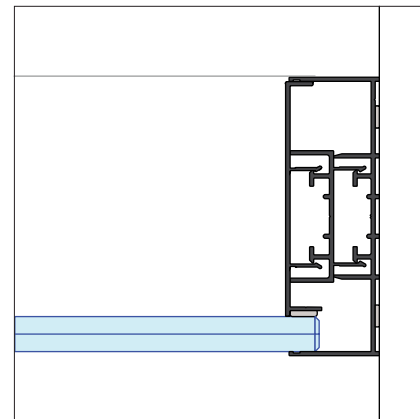
**iQ PRO Single glass**  
T-connection with iQ PRO Double glass



**iQ PRO Single glass**  
Wall connection



**iQ PRO Single glass**  
Section joints



**iQ PRO Single glass**  
End profile





## Range of doors

The door is an essential part of the system wall because it not only provides access to different rooms, it also contributes to the aesthetics and functionality. Doors can be made with many different materials such as wood, tempered glass, laminated glass in a frame, and steel.

Glass doors are an obvious option for optimal transparency. QbiQ aluminium frame doors are fitted with one or two layers of acoustic laminated glass. The laminated glass (6.6.a.2 or 2x 4.4.a.2) ensures the frame door performs better in terms of acoustics. Even wall-thick frame doors are possible for a wall of 100 mm (3.94"). In addition to framed doors, tempered glass or closed doors in HPL, wood or steel are also available.

Almost every QbiQ door can be equipped with one and, in some types, two drop sills. A rubber seal comes out of the bottom of the door and presses onto the floor. This prevents sound from travelling under the door. To further increase the acoustic performance, QbiQ has glass and closed doors with a double gap seal.

Finally: the thickness of the door compared to the thickness of the wall influences the aesthetic image. When the glass or closed panels of the wall run in line with the glass or closed panel in the framed door, this creates peace in the interior.

QbiQ has the perfect door for every wall.



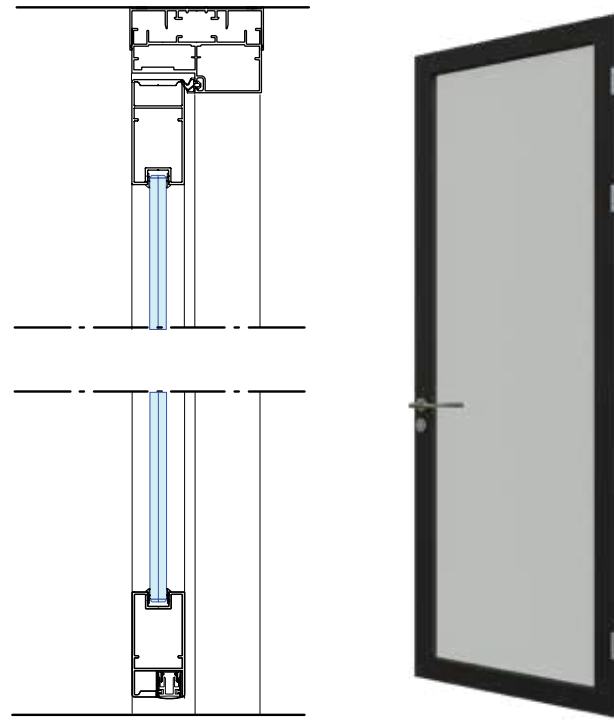


## Doors

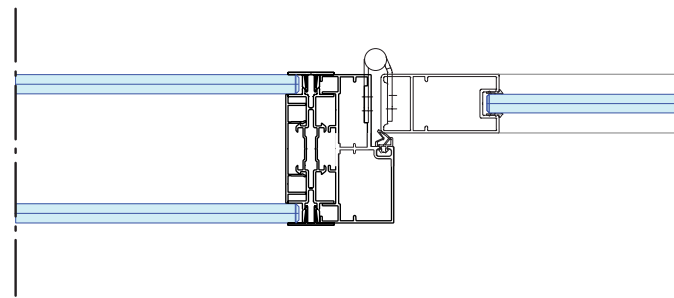
### KDEC + DK100

Framed door KDEC with frame DK100.

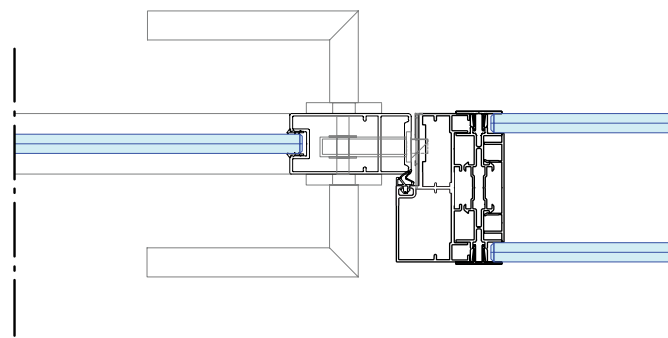
- Good sound insulation
- Centrally positioned glass
- Laminated glass, 6.6.2 / 6.6.a2
- Rubber seal
- Drop seal



KDEC - DK100  
vertical section



KDEC - DK100  
horizontal hinge side section



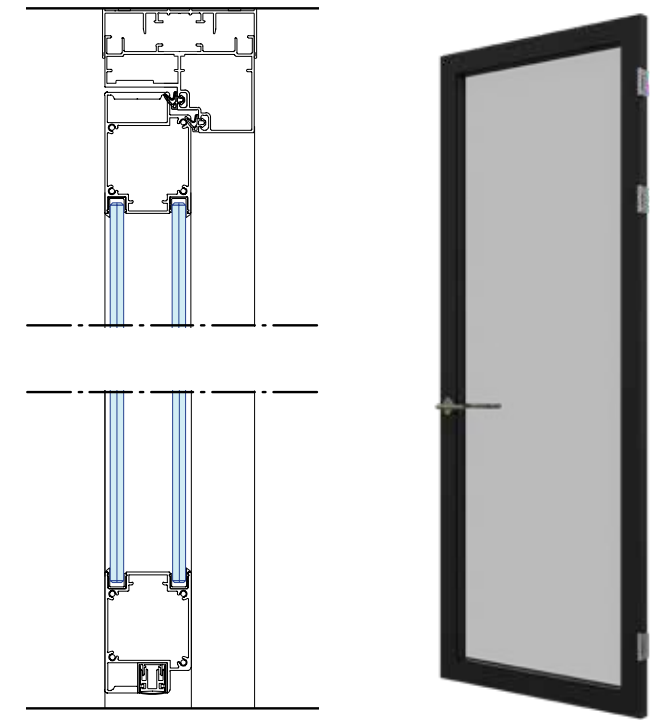
KDEC - DK100  
horizontal section lock side

## Doors

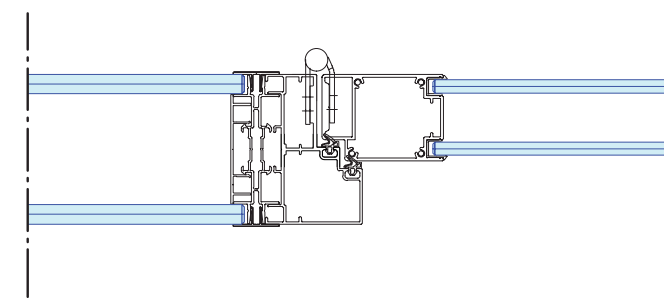
### KDD57D + DK100D

Framed door KDD57D with double glazing and double seal, with frame DK100D.

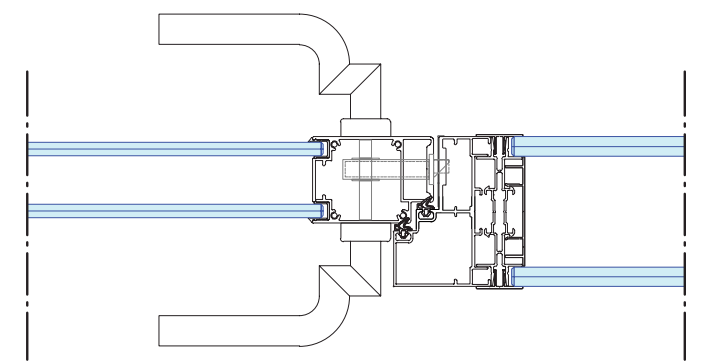
- Excellent sound insulation
- 2x layered glass, 4.4.2 / 4.4.a2
- Double rubber seal
- Drop seal



KDD57D + DK100D  
vertical section



KDD57D + DK100D  
horizontal hinge side section



KDD57D + DK100D  
horizontal section lock side

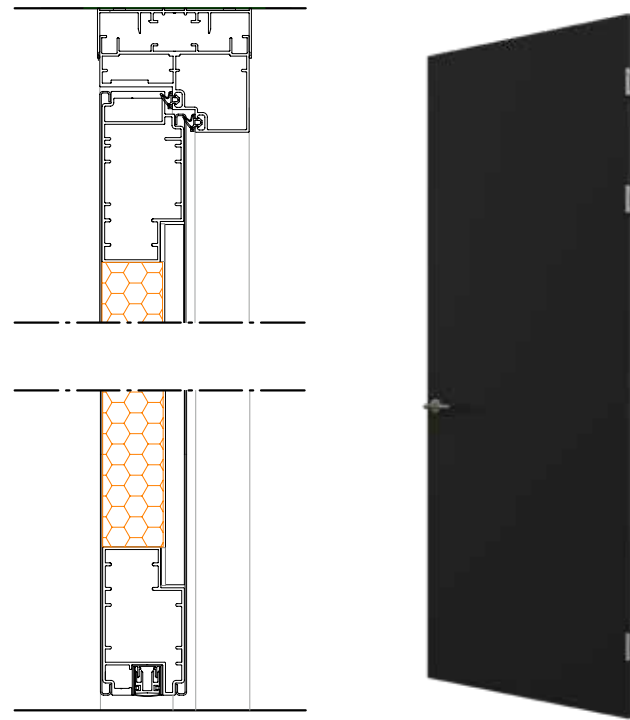


## Doors

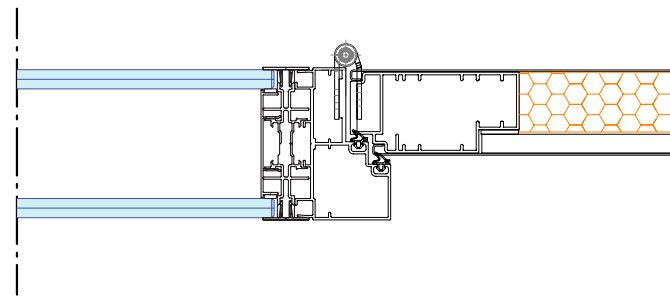
### KDS57D + DK100D

Solid steel framed door KDS57D with frame DK100D.

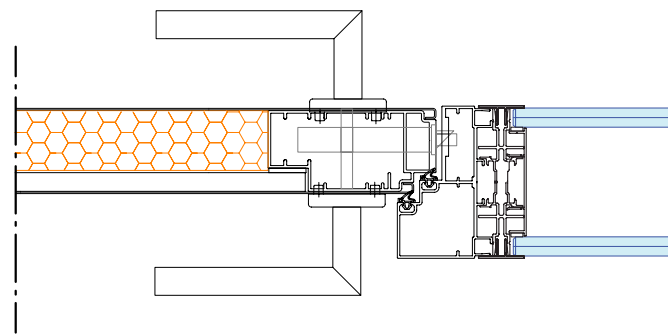
- Excellent sound insulation
- 2x 1 mm (0.04") steel sheet
- Rubber seal
- Drop seal



KDS57D + DK100D  
vertical section



KDS57D + DK100D  
horizontal hinge side section



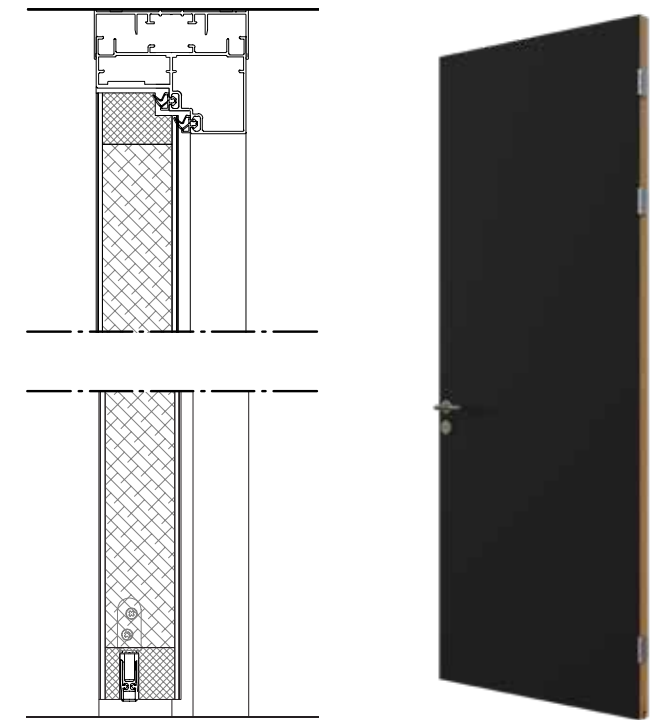
KDS57D + DK100D  
horizontal section lock side

## Doors

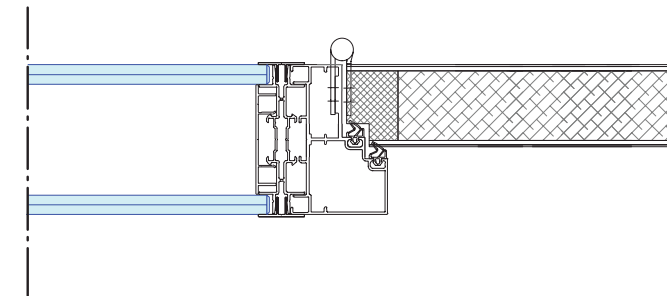
### HPL54 + DK100D

54 mm (2.1") solid HPL door with frame DK100D.

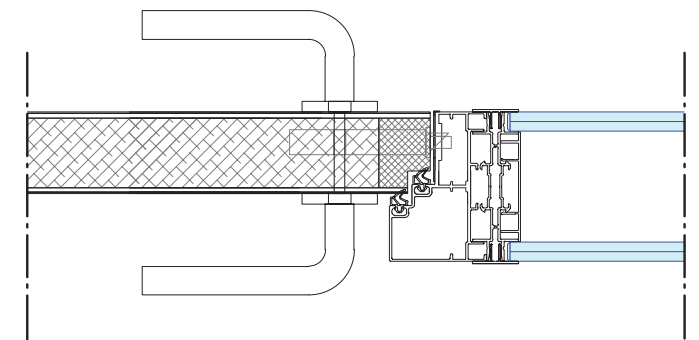
- High sound insulation
- Color and motif of your choice
- Double rubber seal
- Drop seal



HPL54 + DK100D  
vertical section



HPL54 + DK100D  
horizontal hinge side section



HPL54 + DK100D  
horizontal section lock side

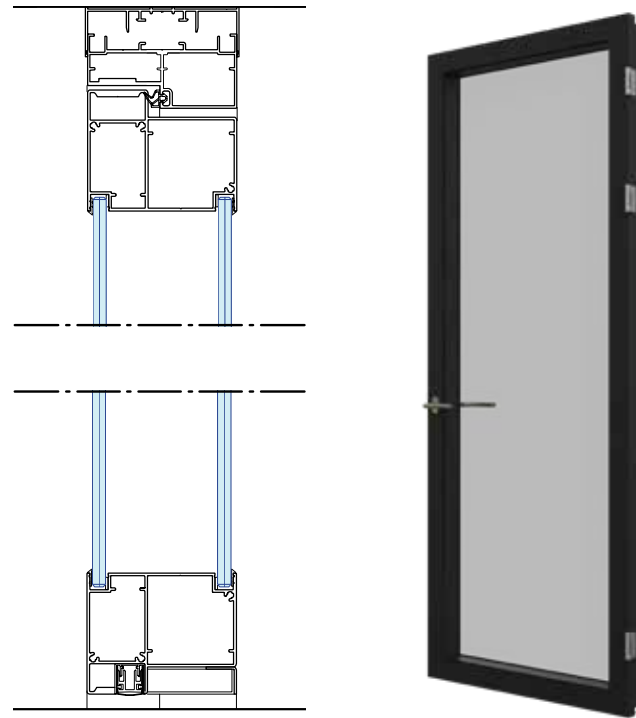


## Doors

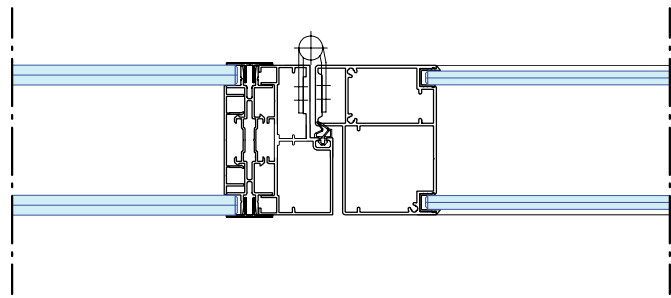
### KDD80-100 + DK100

Flush Framed door KDD80-100 with frame DK100.

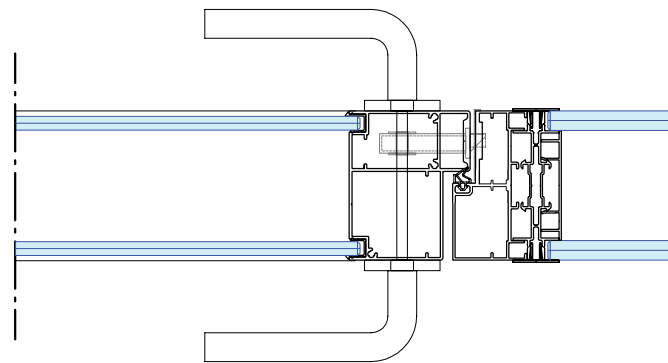
- High sound insulation
- 2x layered glass, 4.42 / 4.4a2
- Rubber seal
- Drop seal



KDD80-100 + DK100  
vertical section



KDD80-100 + DK100  
horizontal hinge side section



KDD80-100 + DK100  
horizontal section lock side





## Synergy with 33 mm (1.30") profile height

Characteristic of QbiQ system walls is always consistent in its height of only 33 mm (1.30") in appearance. Floor, wall, and ceiling profiles are identical in appearance. The use of these minimalist profiles enhances the feeling of transparency.

### Synergy

The 33 mm (1.30") profile is consistently applied to all QbiQ wall systems. This means that different types of QbiQ (glass) walls can be combined perfectly and with optimal synergy.

Where different wall types meet, a near-magical connection is created. The flat plinth (non-receding) creates seamless profile connections, which contributes to the acoustic performance.

Whether it is a T-, corner- or frame connection; QbiQ always ensures the optimal connection between different wall types.

### Solid walls

The flat profiles with a height of 33 mm (1.30") are also applied in solid wall systems. This means that the profiles of the solid and glass panels in a wall merge, which enhances the aesthetic appearance and also improves the acoustic performance.



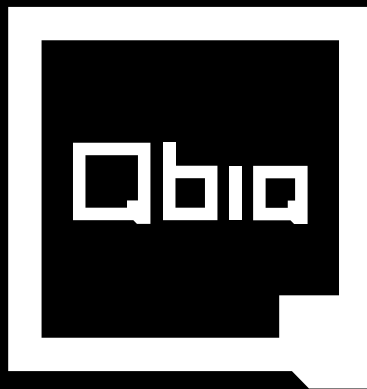
## Design support

Designing a project or furnishing a space can be a challenging task. Aesthetic wishes of the architect must be combined with requirements in terms of sound insulation and absorption: "what about dB values in a real-life situation?" Also when meeting the specified stated fire and/or smoke resistance requirements; how is the report of the fire inspector translated into the right, certified materials? And then to establish that there are multiple solutions to meet the requirements. That is why there is the 'iQ Atelier' for all QbiQ wall systems! In a personal meeting, you get the advice you need to optimize your design in every phase of the process.

## BIM

In addition to providing the details of the QbiQ profiles and connections (both in 2D and as BIM objects), we provide the right certificates, samples and mock-ups to support you in your dialogues with clients and consultants. Whether you are an architect, interior designer, facility manager or end user, our team is ready to support you in the design of offices, schools, healthcare facilities or logistics facilities. We listen to your needs, review the specifications, and offer creative solutions that fit perfectly. That is what our wall systems are perfectly suited for!

Do you want to get in touch?



# Wall Systems

QbiQ bv | Hoorn 234 | 2404 HK Alphen aan den Rijn | Netherlands  
T: +31 88 50 10 500 | E: info@qbiq.nl | W: www.qbiq.nl

