

iQ WOOD Single

Wooden partition in single glass



Wall Systems

WOODEN PARTITION IN SINGLE GLASS

The warm and natural look of wood combined with the flexibility of an aluminium partition wall. QbiQ presents the iQ WOOD single!

Unique wall structure

iQ WOOD Single is a glass wall system built up from a combination of aluminium and wooden profiles. By working with aluminium (click) profiles in the inner core we retain the strength of a flexible partition wall. Thanks to the unique combination of materials, it is possible to create a minimalistic, wooden partition wall with maximum rigidity and a profile height of only 33 mm (1.30"). A door element in the wall system consists of a solid wood frame that can be combined with various QbiQ door types.

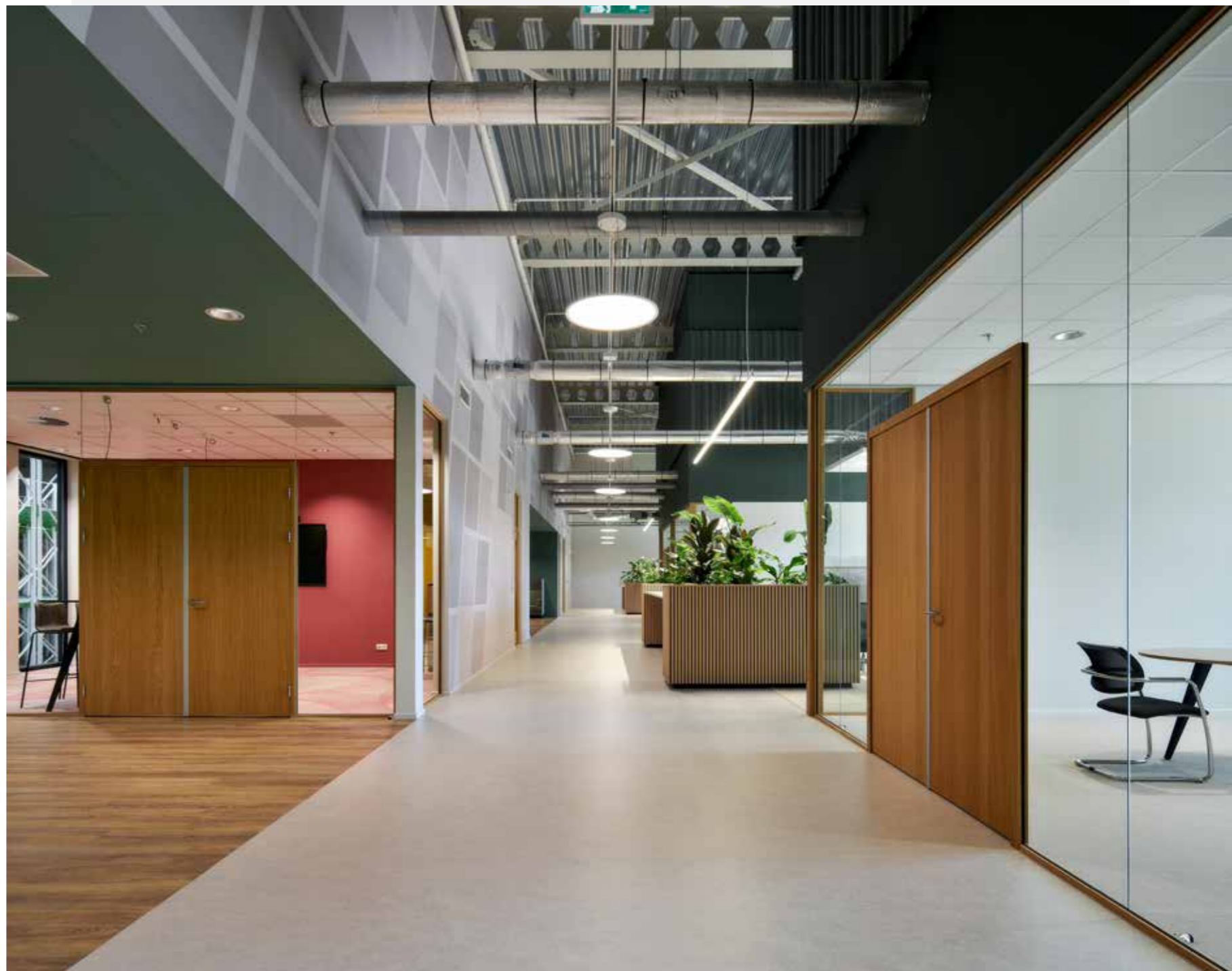
Glass

The iQ WOOD Single is equipped with 66.2 laminated single glass with a thickness of 12.76 mm (0.50"). Optionally, 66.a2 glass can be applied with an acoustic foil for better sound insulation. The glass panels are connected with a fully transparent O-joint. This eliminates the need for vertical mullions and creates a beautiful partition with an open and natural character.

Doors and doorframes

Solid wood door frames can be made of European oak, abachi or, in consultation, another type of wood. The frames are fitted with aluminium framed doors, veneer/HPL doors or hard glass doors.

Naturally, iQ WOOD Single can be perfectly combined with other QbiQ wall systems.



extra.qbiqwallsystems.com/iq-wood-single

Circularity

The inner core of the iQ WOOD Single is Cradle to Cradle Silver certified. The wood for the profiles and the frames can be supplied under FSC® quality mark and European Oak and Abachi, among others, can be used in the wall system. The wood is not nailed but blindly attached to the aluminium (click) profiles. The glass is mounted 'dry' using a glass rubber.. This makes the entire wall remountable and the system fits seamlessly into our range of circular system walls.

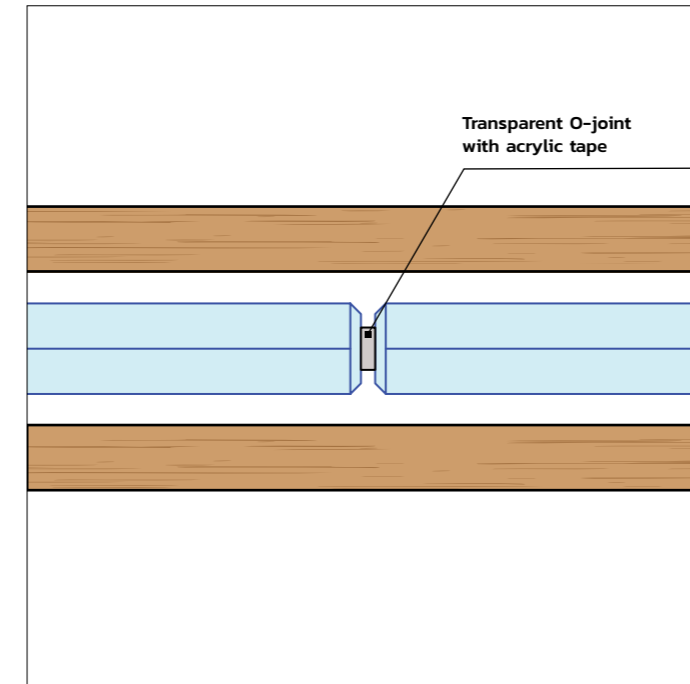
QbiQ system walls are designed with flexibility and adaptability in mind, which means they can be easily installed, moved and reused. This extends the lifespan of the walls and reduces the need for new materials.

Cradle to cradle Silver

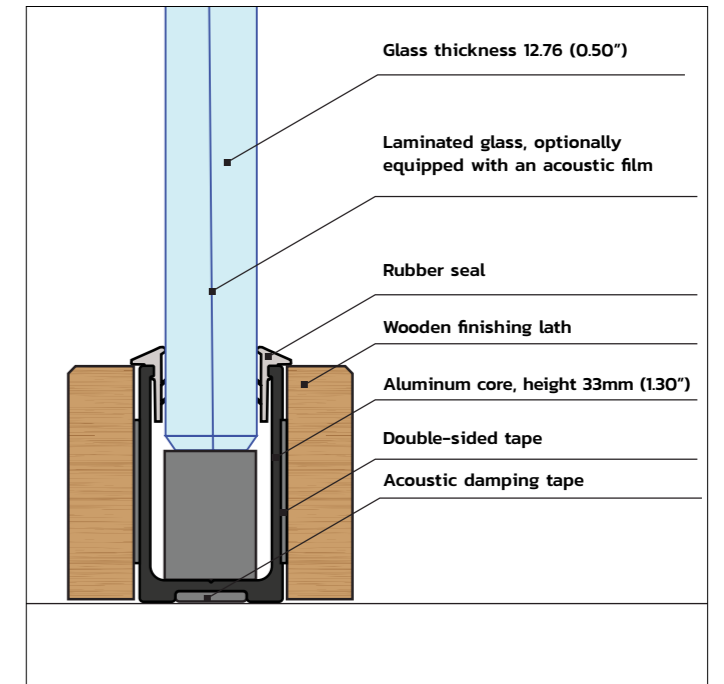
Our system walls contribute to a sustainable environment and are certified by an accredited assessor for the international Cradle to Cradle Certified® programme. The products and underlying production processes have been assessed against the following components: Material Health, Material Re-utilisation, Renewable Energy, Water Stewardship and Social Fairness. This certification guarantees that our walls are designed with reuse and circularity in mind, that energy is used consciously, that we use labour in a (socially) responsible manner, and that our products contain demonstrably non-toxic substances.

With our Cradle to Cradle Silver certified concepts, we not only offer a sustainable solution for a modern and pleasant learning and working environment, we are also contributing to the circular economy.

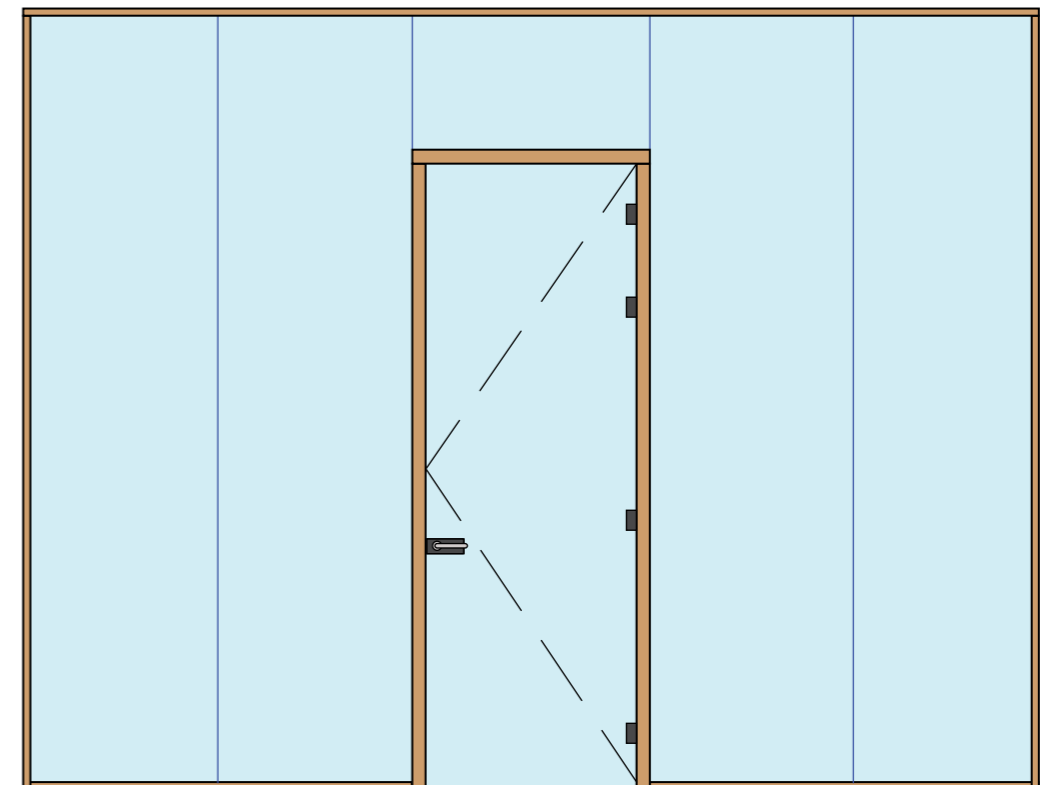




iQ WOOD Single section joins



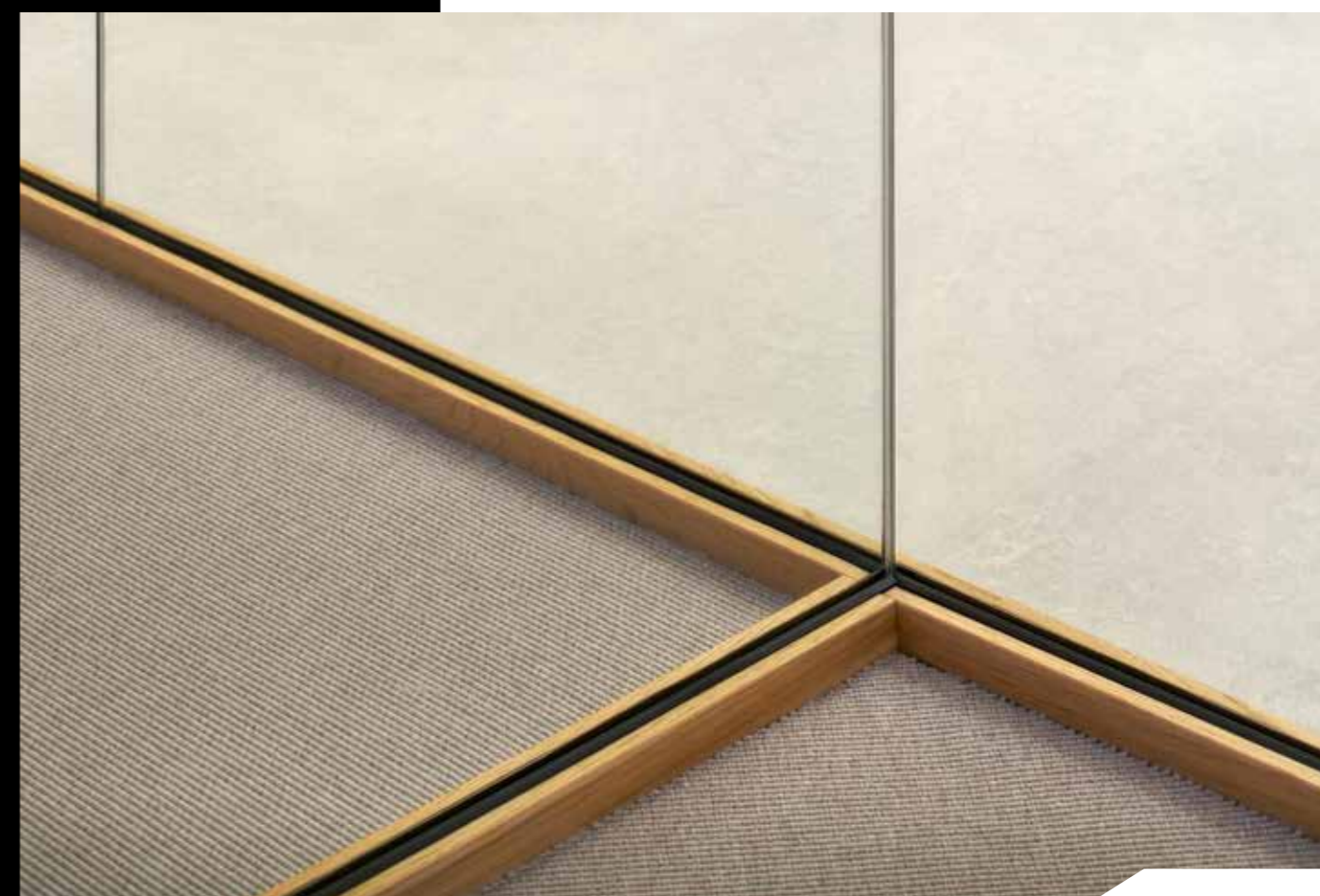
iQ WOOD Single floor track



iQ WOOD Single wall view

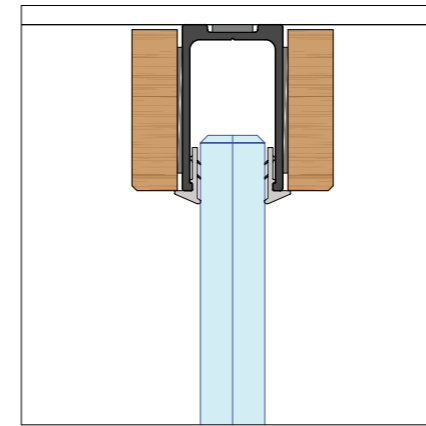
iQ WOOD Single – Specifications

Description	Wooden single-glazed wall system with O joint.
Certification	<ul style="list-style-type: none"> • Cradle to Cradle Silver inner core. • FSC® wood elements if required.
Partition Thickness	40 mm (1.56").
Sound reduction	Rw=35dB to Rw=40dB.
Wall sections	Glass.
Glazing	Laminated single glass, thickness 12.76 mm (0.50"), possibly fitted with acoustic foil.
Sections modulation	900mm (35.43"), project specific dimensions possible.
Section Joins	Transparent O-joint.
Head Track	Aluminium core lined with wood, height 33 mm (1.30").
Floor Track	Aluminium core lined with wood, height 33 mm (1.30").
Doors frames	Solid wood block frame DKW58, 58 mm (2.28") with single rebate.
Doors	<ul style="list-style-type: none"> • Aluminium frame doors with acoustic laminated glass. • Wooden doors with an HPL or veneer finish. • Tempered glass doors.
Types of wood	<ul style="list-style-type: none"> • Oak • Abachi • Project specific

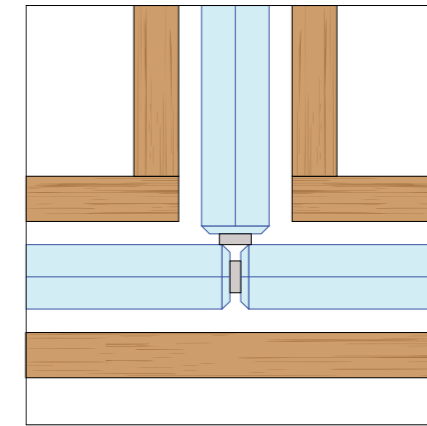




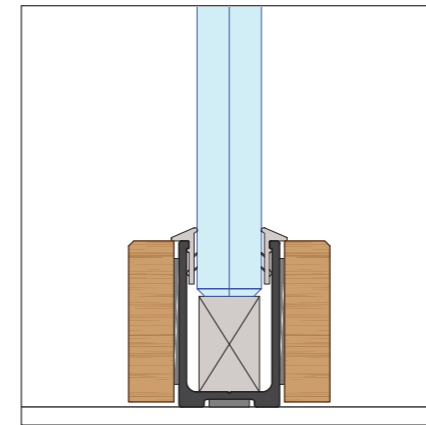
BASIC DETAILS



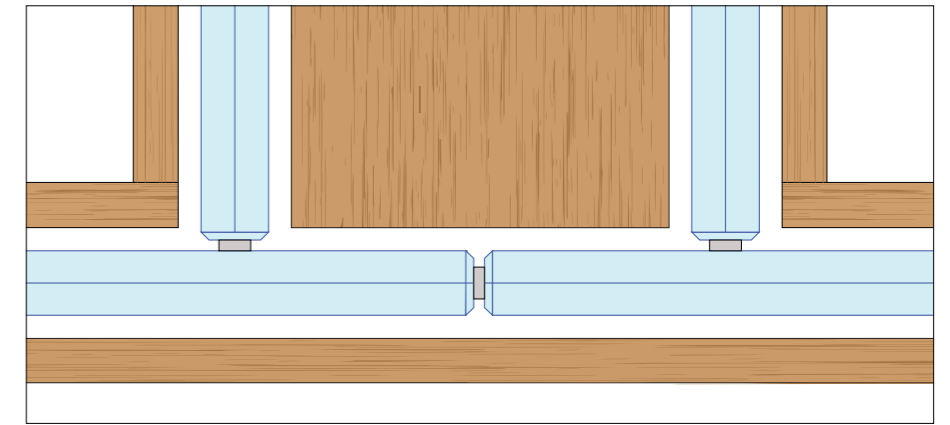
iQ WOOD Single
Head Track



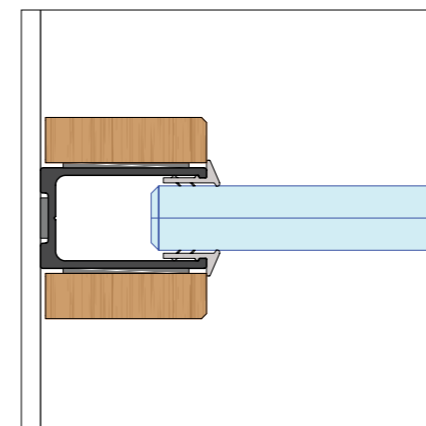
iQ WOOD Single
T-joint



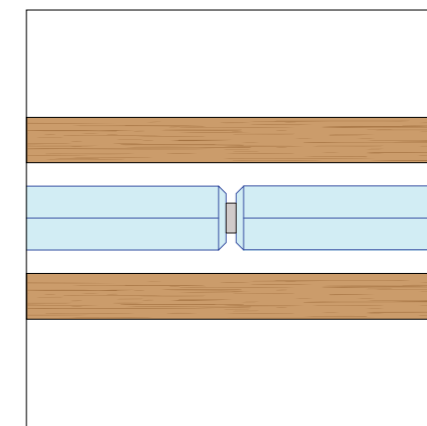
iQ WOOD Single
Floor Track



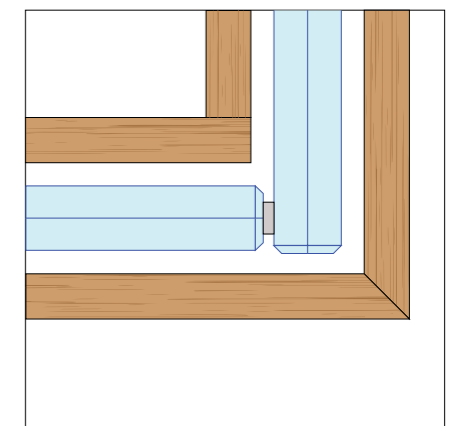
iQ WOOD Single
T-joint with iQ WOOD Structural



iQ Single
Wall connection



iQ WOOD Single
Connection with O-joint



iQ Single
90° corner

Range of doors

The door is an essential part of the system wall because it not only provides access to different rooms, it also contributes to the aesthetics and functionality. Doors can be made with many different materials such as wood, tempered glass, laminated glass in a frame, and steel.

Glass doors are an obvious option for optimal transparency. QbiQ aluminium frame doors are fitted with one or two layers of acoustic laminated glass. The laminated glass (6.6.a.2 or 2x 4.4.a.2) ensures the frame door performs better in terms of acoustics. Even wall-thick frame doors are possible for a wall of 100 mm (3.94"). In addition to framed doors, tempered glass or closed doors in HPL, wood or steel are also available.

Almost every QbiQ door can be equipped with one and, in some types, two drop sills. A rubber seal comes out of the bottom of the door and presses onto the floor. This prevents sound from travelling under the door. To further increase the acoustic performance, QbiQ has glass and closed doors with a double gap seal.

Finally: the thickness of the door compared to the thickness of the wall influences the aesthetic image. When the glass or closed panels of the wall run in line with the glass or closed panel in the framed door, this creates peace in the interior.

QbiQ has the perfect door for every wall.

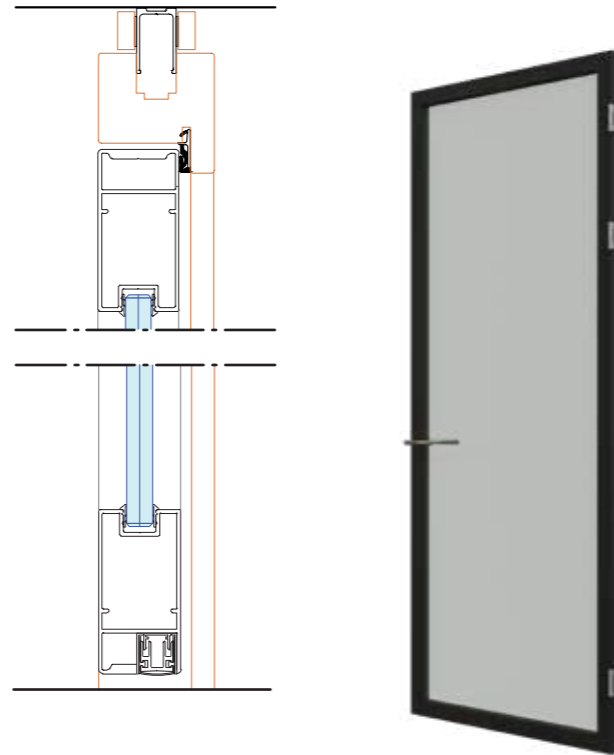


Doors

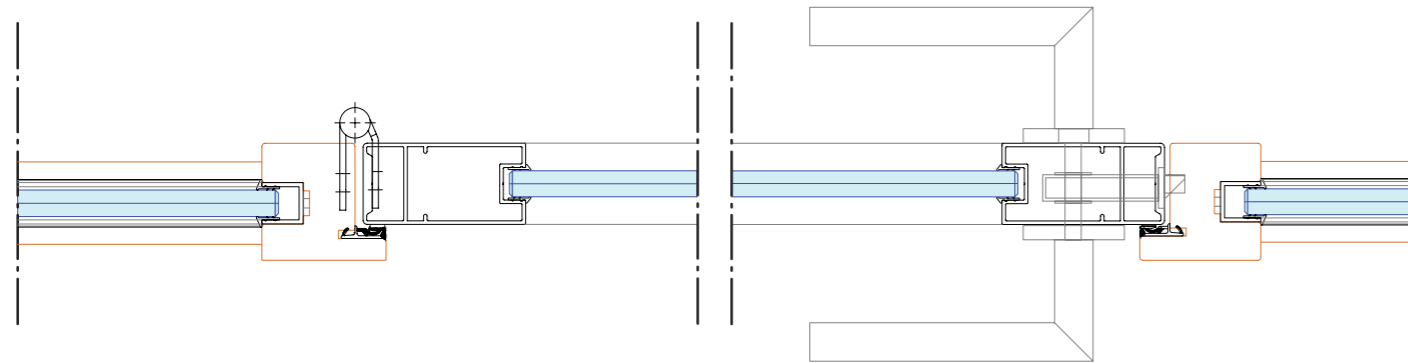
KDEC + DKW58

Framed door KDEC equipped with single glass with door frame DKW58.

- Centrally positioned glass
- High sound values
- Laminated glass, 662 / 66a2
- Rubber seal
- Drop seal



KDEC + DKW58
vertical section



KDEC + DKW58
horizontal section hinge side

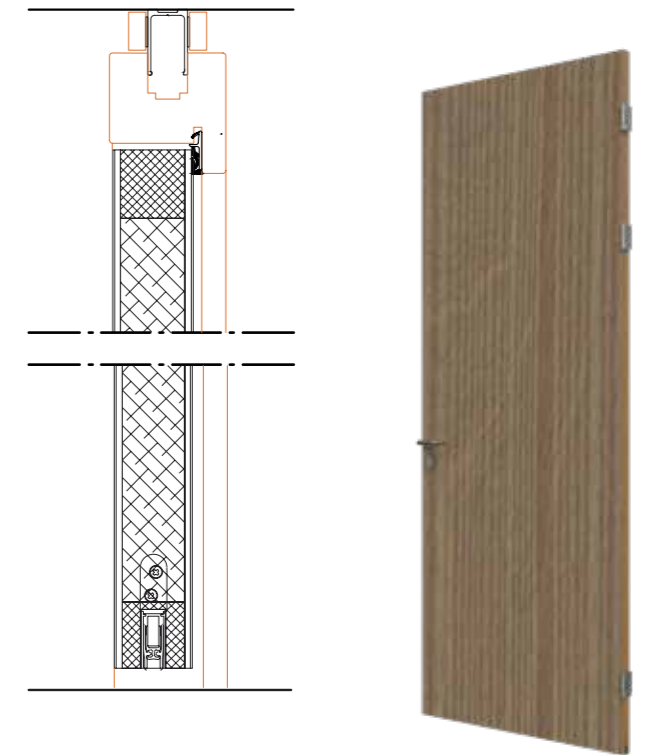
KDEC + DKW58
horizontal section lock side

Doors

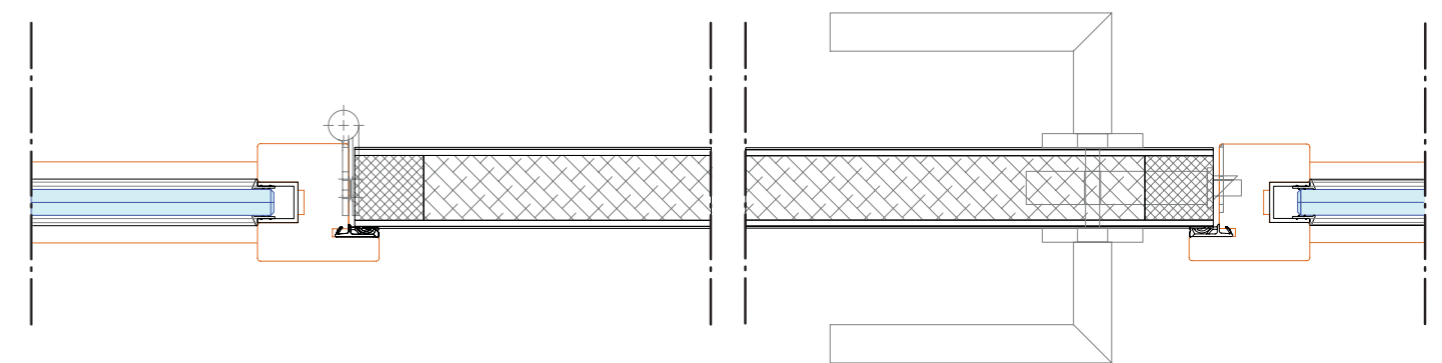
HPL40 + DKW58

40 mm (1.56") solid HPL door with door frame DKW58.

- Good sound values
- Color and motif of your choice
- Rubber seal
- Drop seal



HPL40 + DKW58
vertical section



HPL40 + DKW58
horizontal section hinge side

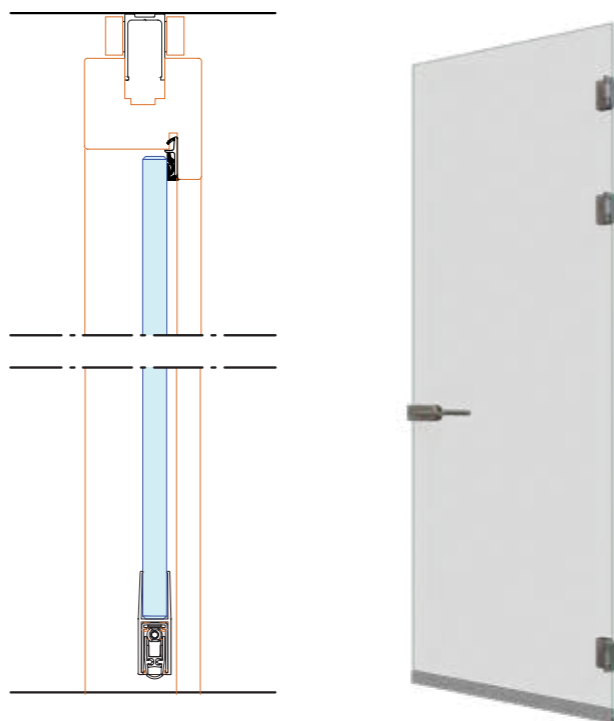
HPL40 + DKW58
horizontal section lock side

Doors

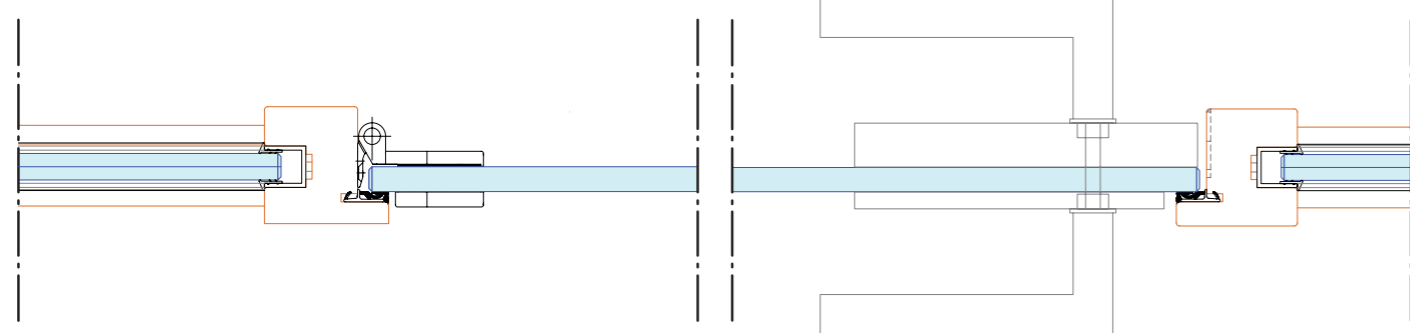
HG12 + DKW58

Tempered glass door HG12 with door frame DKW58.

- Good sound values
- Rubber seal
- Drop seal



HG12 + DKW58
vertical section



HG12 + DKW58
horizontal section hinge side

HG12 + DKW58
horizontal section lock side



Synergy with 33 mm (1.30") profile height

Characteristic of QbiQ system walls is always consistent in its height of only 33 mm (1.30") in appearance. Floor, wall, and ceiling profiles are identical in appearance. The use of these minimalist profiles enhances the feeling of transparency.

Synergy

The 33 mm (1.30") profile is consistently applied to all QbiQ wall systems. This means that different types of QbiQ (glass) walls can be combined perfectly and with optimal synergy.

Where different wall types meet, a near-magical connection is created. The flat plinth (non-receding) creates seamless profile connections, which contributes to the acoustic performance.

Whether it is a T-, corner- or frame connection; QbiQ always ensures the optimal connection between different wall types.

Solid walls

The flat profiles with a height of 33 mm (1.30") are also applied in solid wall systems. This means that the profiles of the solid and glass panels in a wall merge, which enhances the aesthetic appearance and also improves the acoustic performance.



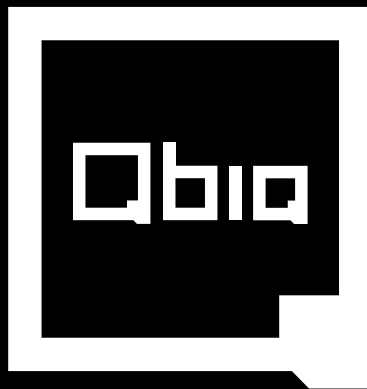
Design support

Designing a project or furnishing a space can be a challenging task. Aesthetic wishes of the architect must be combined with requirements in terms of sound insulation and absorption: "what about dB values in a real-life situation?" Also when meeting the specified stated fire and/or smoke resistance requirements; how is the report of the fire inspector translated into the right, certified materials? And then to establish that there are multiple solutions to meet the requirements. That is why there is the 'iQ Atelier' for all QbiQ wall systems! In a personal meeting, you get the advice you need to optimize your design in every phase of the process.

BIM

In addition to providing the details of the QbiQ profiles and connections (both in 2D and as BIM objects), we provide the right certificates, samples and mock-ups to support you in your dialogues with clients and consultants. Whether you are an architect, interior designer, facility manager or end user, our team is ready to support you in the design of offices, schools, healthcare facilities or logistics facilities. We listen to your needs, review the specifications, and offer creative solutions that fit perfectly. That is what our wall systems are perfectly suited for!

Do you want to get in touch?



Wall Systems

QbiQ bv | Hoorn 234 | 2404 HK Alphen aan den Rijn | Netherlands
T: +31 88 50 10 500 | E: info@qbiq.nl | W: www.qbiq.nl

